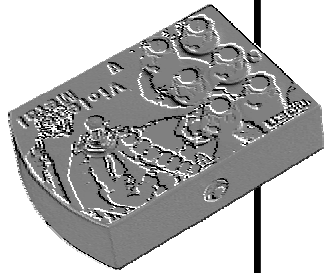


# MOEN

Guitar compact effect series

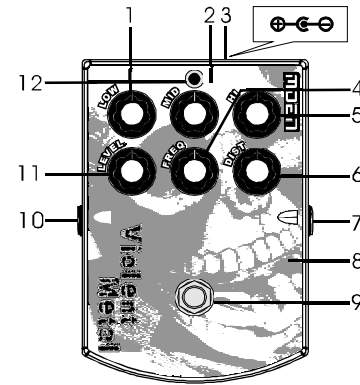
## MO-VM Violent Metal



### Features:

- Special designed “V” type EQ circuit produces insane sound.
- HIGH/MID/LOW with MID deviating Eqing creates all kinds of metal tones.
- Electrical stomp switch.

BEIJING MOEN TECHNOLOGY CO., LTD.



- 1. LOW**  
- Low Frequency Equalizer Knob.
- 2. MID**  
- MID Frequency Equalizer Knob.
- 3. DC 9V**  
- Power Jack, Positive Ground DC 9V.
- 4. FREQ**  
- MID Frequency Deviating Equalizer Knob.
- 5. HI**  
- High Frequency Equalizer Knob.
- 6. DIST**  
- Distortion Gain Knob.

- 7. IN**  
- Guitar Signal Input Jack.

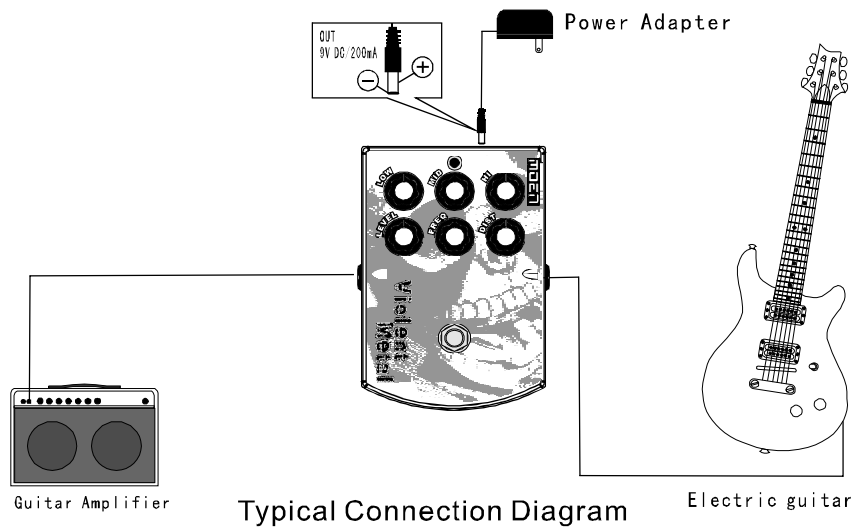
- 8. ENCLOSURE**  
- Solid Metal Enclosure.

- 9. STOMP SWITCH**  
- Effect / Bypass Switch.

- 10. OUT**  
- Guitar Signal Output Jack.

- 11. LEVEL**  
- Output Level Knob.

- 12. LED INDICATOR**  
- ON/Effect, OFF-Bypassed.



Note: The power will be off when the input plug is disconnected.